

Brakes/Wheels

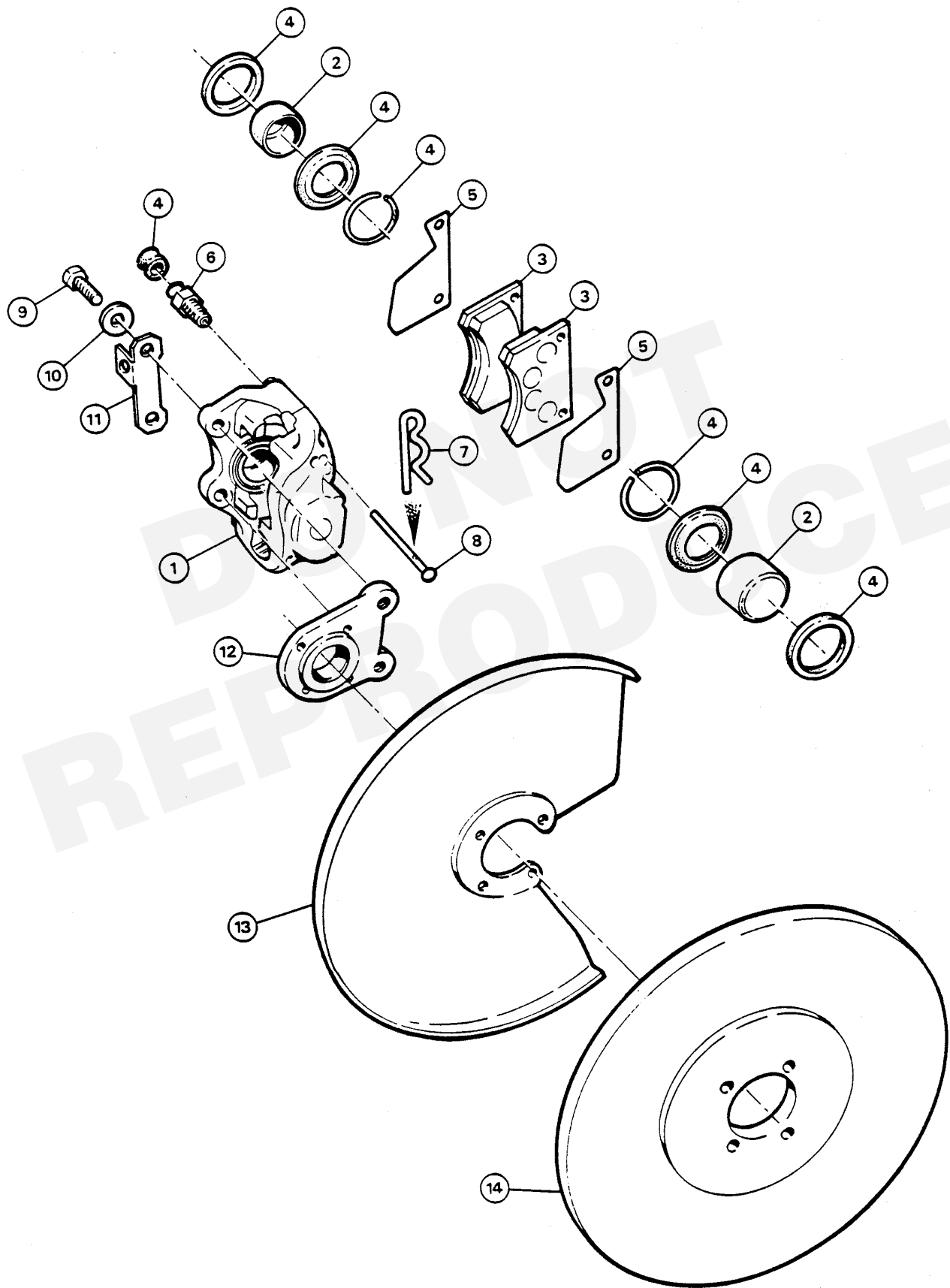
6	SECTION	BRAKES AND WHEELS FRONT BRAKES
	SUBSECTION	
	GROUP	

FIG.	PART NUMBER	DESCRIPTION	QTY	REMARKS
1	100042	CALIPER LH ASSY	1	
	100043	CALIPER RH ASSY	1	
2	109001	. FRONT CALIPER PISTON	4	
3	109005	. SET OF BRK DISC PADS	4	
4	109000	. CALIPER SERVICE KIT	2	
5	109098	. ANTI SQUEAL SHIM	4	
6	109002	. BLEED SCREW	2	
7	109004	. PIN RETAINING CLIP	4	
8	109003	. PAD RETAINING PIN	4	
9	101262	SCREW M12	4	
10	SP10118	SPRING WASHER M12	4	
11	106646	BRAKE PIPE BRKT RH	1	
12	100097	CAUPER BRACKET	2	
13	100264	DUST SHIELD RH	1	
	100265	DUST SHIELD LH	1	
14	100095	FRONT DISC	2	

DO NOT REPRODUCE

BRAKES AND WHEELS
FRONT BRAKES

SECTION
6
SUBSECTION
1
GROUP
0

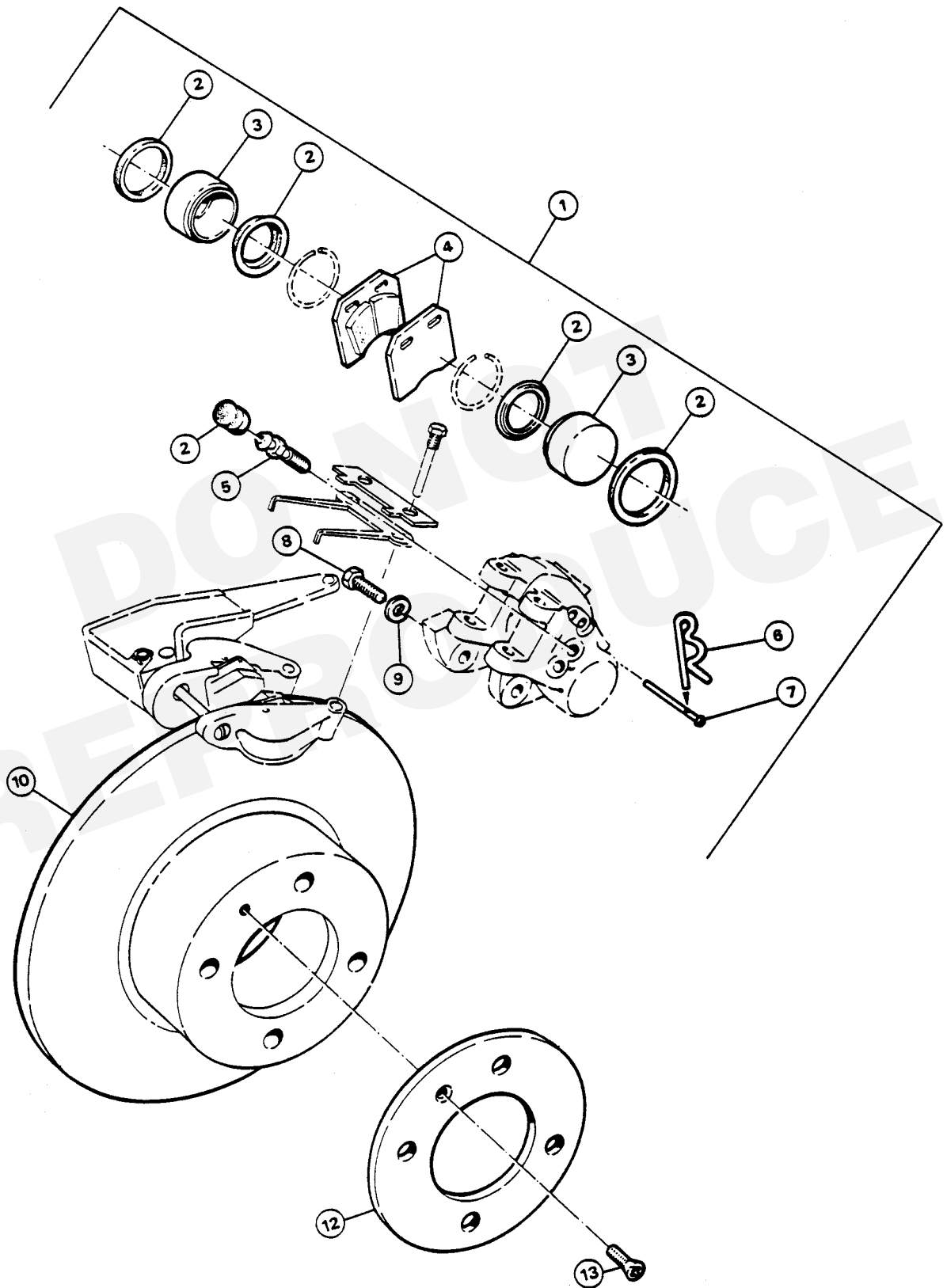


6-1-0-4-27-81

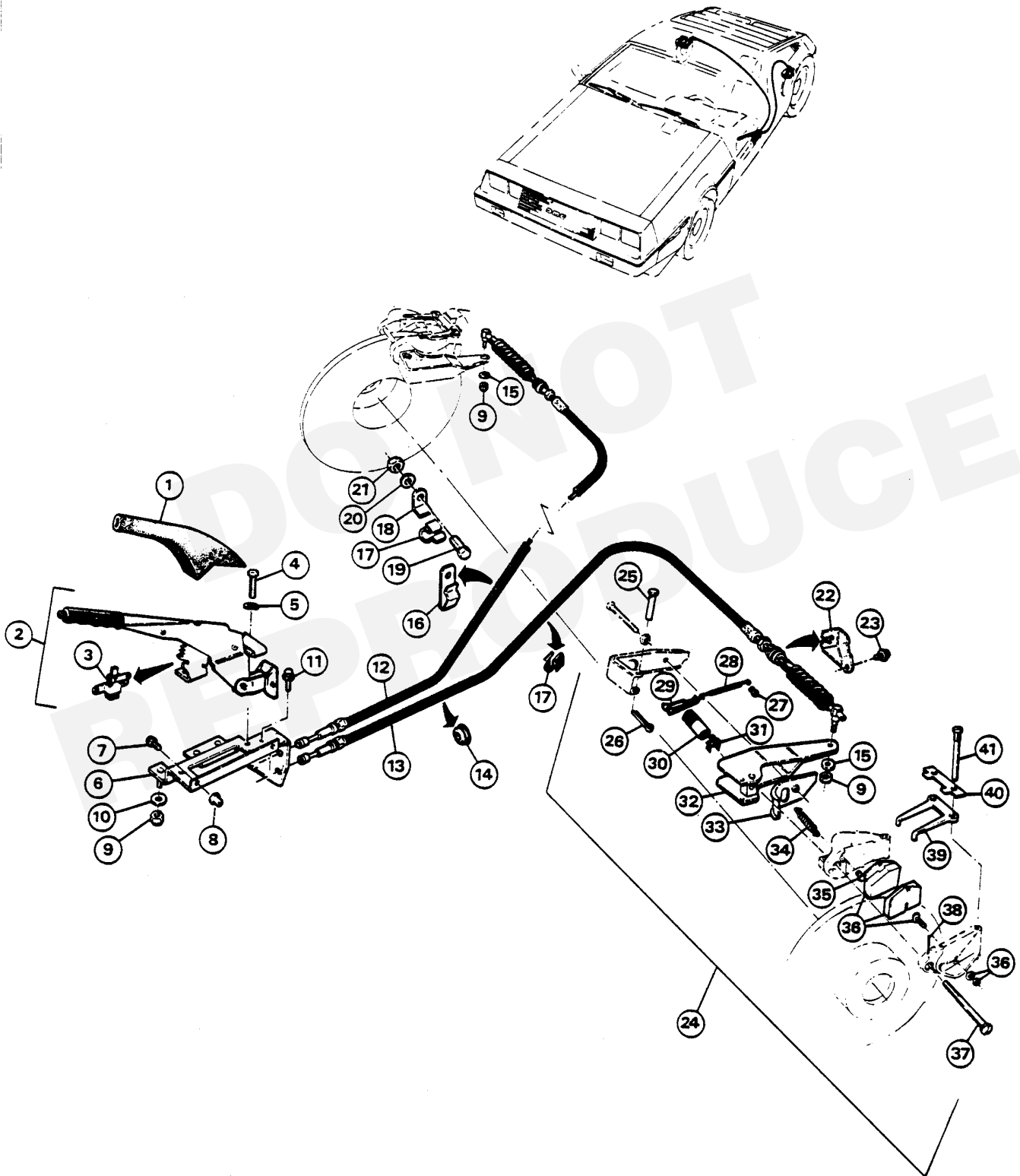
6	SECTION	BRAKES AND WHEELS REAR BRAKES
	SUBSECTION	
	GROUP	

FIG.	PART NUMBER	DESCRIPTION	QTY	REMARKS
1	100044	CALIPER REAR LH ASSY	1	
	100045	CALIPER, REAR RH ASSY	1	
2	109006	SERVICE KIT REAR CALIPER	2	
3	109007	PISTON, REAR CALIPER	4	
4	109012	PAD SET, REAR	4	
5	109008	BLEED SCREW, REAR CALIPER	2	
6	109011	RETAINING CLIP, PAD	4	
7	109010	PIN, PAD RETAINING	4	
8	101936	BOLT 7/16" UNF	4	
9	SP10500	WASHER, PLAIN 7/16"	4	
10	100252	DISC, REAR	2	
12	110154	ADAPTOR PLATE	2	
13	SP10649	SCREW, CROSSHEAD C/SUNK	2	

DO NOT REPRODUCE



SECTION		BRAKES AND WHEELS		
SUBSECTION		PARKING BRAKE		
GROUP				
FIG.	PART NUMBER	DESCRIPTION	QTY	REMARKS
6				
2				
1				
1	101671	PRK BRAKE SLEEVE	1	
2	105452	PRK 8RAKE ASSY	1	
3	100822	. WARNING LIGHT SW	1	
4	SP10103	SCREW M8	2	
5	SP10035	SPRING WASHER M8	2	
6	101962	PRK BRAKE MT BRKT	1	UP TO VIN 629
	108579	PRK BRAKE MT BRKT	1	FROM VIN 630
7	SP10670	SEMS SCREW M6	3	UP TO VIN 629
	SP10670	SEMS SCREW M6	2	FROM VIN 630
8	SP10678	RIVNUT M6	3	UP TO VIN 629
	SP10678	RIVNUT M6	2	FROM VIN 630
9	SP10024	NYLOC NUT M6	2	UP TO VIN 629
	SP10024	NYLOC NUT M6	5	FROM VIN 630
10	SP10507	EXTRA LARGE WA M6	2	UP TO VIN 629
	SP10507	EXTRA LARGE WA M6	3	FROM VIN 630
11	SP10674	SEMS SCREW M6	2	UP TO VIN 629
	SP10674	SEMS SCREW M6	1	FROM VIN 630
12	101964	PRK BRK CABLE ASSY RH	1	
13	101965	PRK BRK CABLE ASSY LH	1	
14	106291	. GROMMET	2	
15	SP10031	. WASHER M6	2	
16	106731	CABLE CLIP	1	MANUAL ONLY
17	SP10379	CABLE CLIP	1	
	SP10379	CABLE CLIP	1	AUTOMATIC ONLY
18	105948	CABLE CLIP SUPPORT	1	AUTOMATIC ONLY
19	SP10018	SCREW M10	1	AUTOMATIC ONLY
20	SP10036	SPRING WASHER M10	1	AUTOMATIC ONLY
21	SP10028	NUT M10	1	AUTOMAT1C ONLY
22	101952	PRK BRAKE BRKT RH	1	
	101953	PRK BRAKE BRKT LH	1	
23	SP10455	SEMS SCREW M6	2	
24	109013	PRK BRAKE ASSY LH	1	
	109014	PRK BRAKE ASSY RH	1	
25	109020	. PIVOT PIN	2	
26	SP10829	. SPLIT PIN 1.6 x 25	2	CUT TO SUIT
27	109027	. SPRING ANCHOR	2	
28	109026	. SPRING	2	
29	109025	. PAWL	2	
30	109024	. ADJUSTING NUT	2	
31	109023	. FRICTION SPRING	2	
32	109021	. PRK BRAKE LEVER LH	1	
	109022	. PRK BRAKE LEVER RH	1	
33	109033	. INNER COVER PLATE	2	
34	109031	. RETURN SPRING	2	



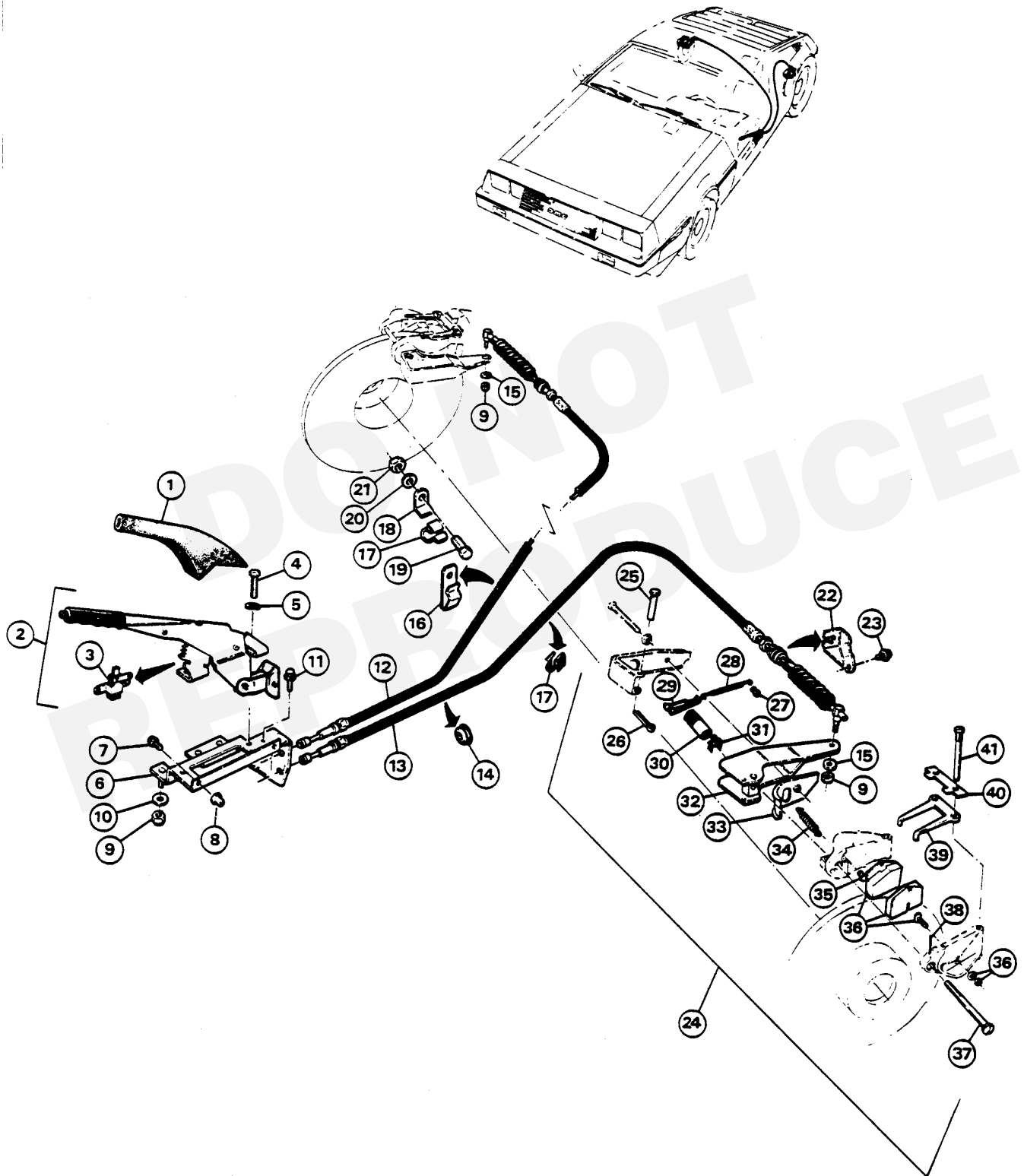
6	SECTION	BRAKES AND WHEELS PARKING BRAKE
	SUBSECTION	
	2 / 1 GROUP	

FIG.	PART NUMBER	DESCRIPTION	QTY	REMARKS
35	109032	. SPRING POST	2	
36	109037	. PRK BRAKE PAD SET	2	
37	109018	. ADJUSTER BOLT	2	
38	SP10479	. SPLIT PIN	2	
39	109034	. RETRACTION PLATE	2	
40	109035	. TAB WASHER	2	
41	109036	. HINGE BOLT	4	

DO NOT REPRODUCE

BRAKES AND WHEELS
PARKING BRAKE

SECTION
6
SUBSECTION
2
1 GROUP



6-2-1-1-20-82

6

SECTION

SUBSECTION

3

GROUP

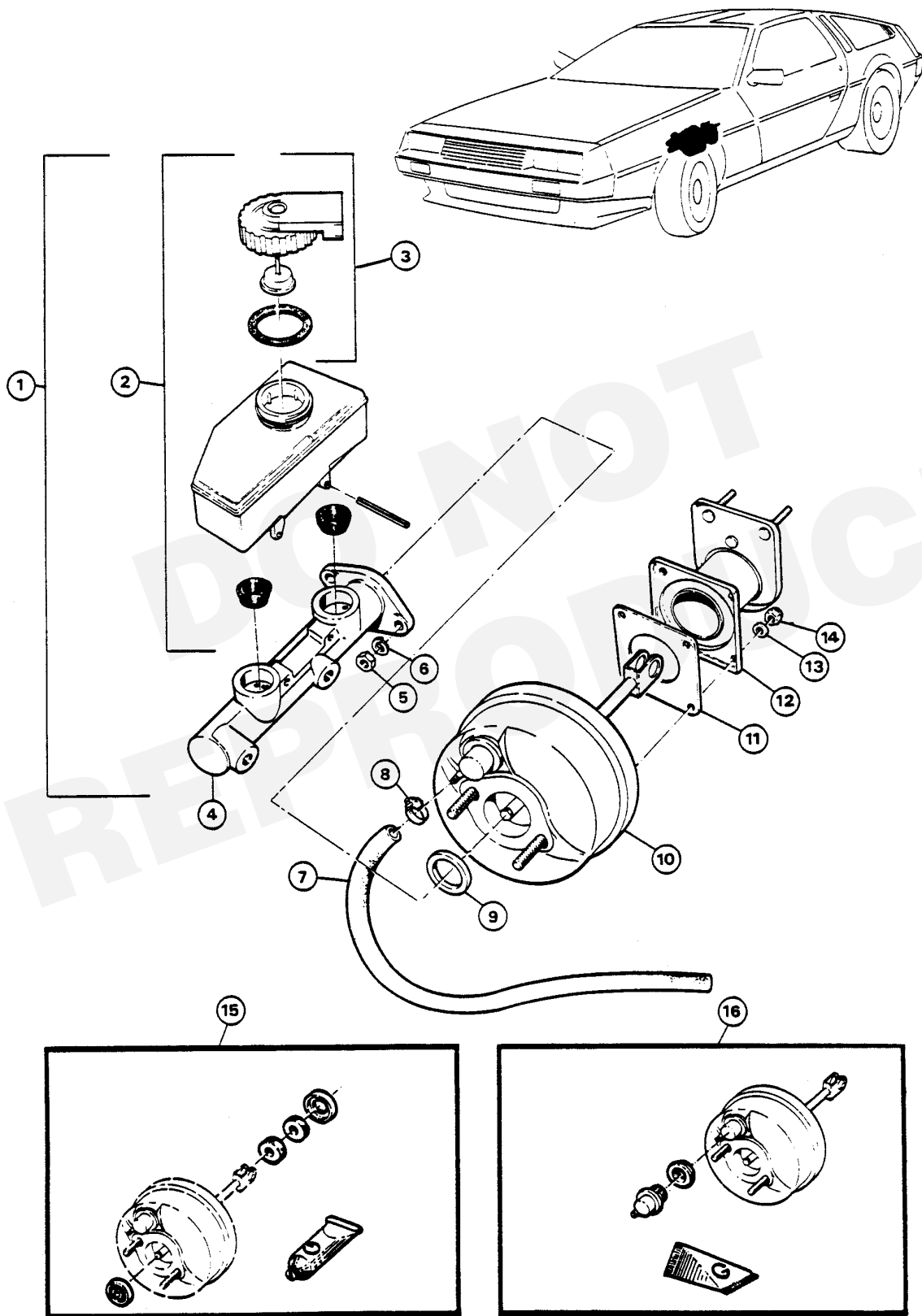
0BRAKES AND WHEELS
MASTER CYLINDER/POWER UNIT

FIG.	PART NUMBER	DESCRIPTION	QTY	REMARKS
1	105543	MASTER/CYL RESERVOIR ASSY	1	
2	109042	. RESVR/LEVEL INDICATOR	1	
3	109041	..FLUID LEVEL INDICATOR	1	
4	109040	. MASTER CYLINDER ASSY	1	
5	SP10028	NUT M10	2	
6	SP10036	SPRING WASHER M10	2	
7	106746	VACUUM HOSE	1	ALSO SHOWN ON 7-3-0
8	SP10348	HOSE CLIP	1	ALSO SHOWN ON 7-3-0
9	105544	SEALING WASHER	1	
10	105542	POWER/SERVO UNIT	1	
11	101401	GASKET	1	
12	100289	BRACKET, SERVO	1	
13	SP10032	WASHER M8	4	
14	SP10025	NYLOC NUT M8	4	
15	109038	SERVO, KIT	1	
1b	109039	CHECK VALVE, KIT	1	

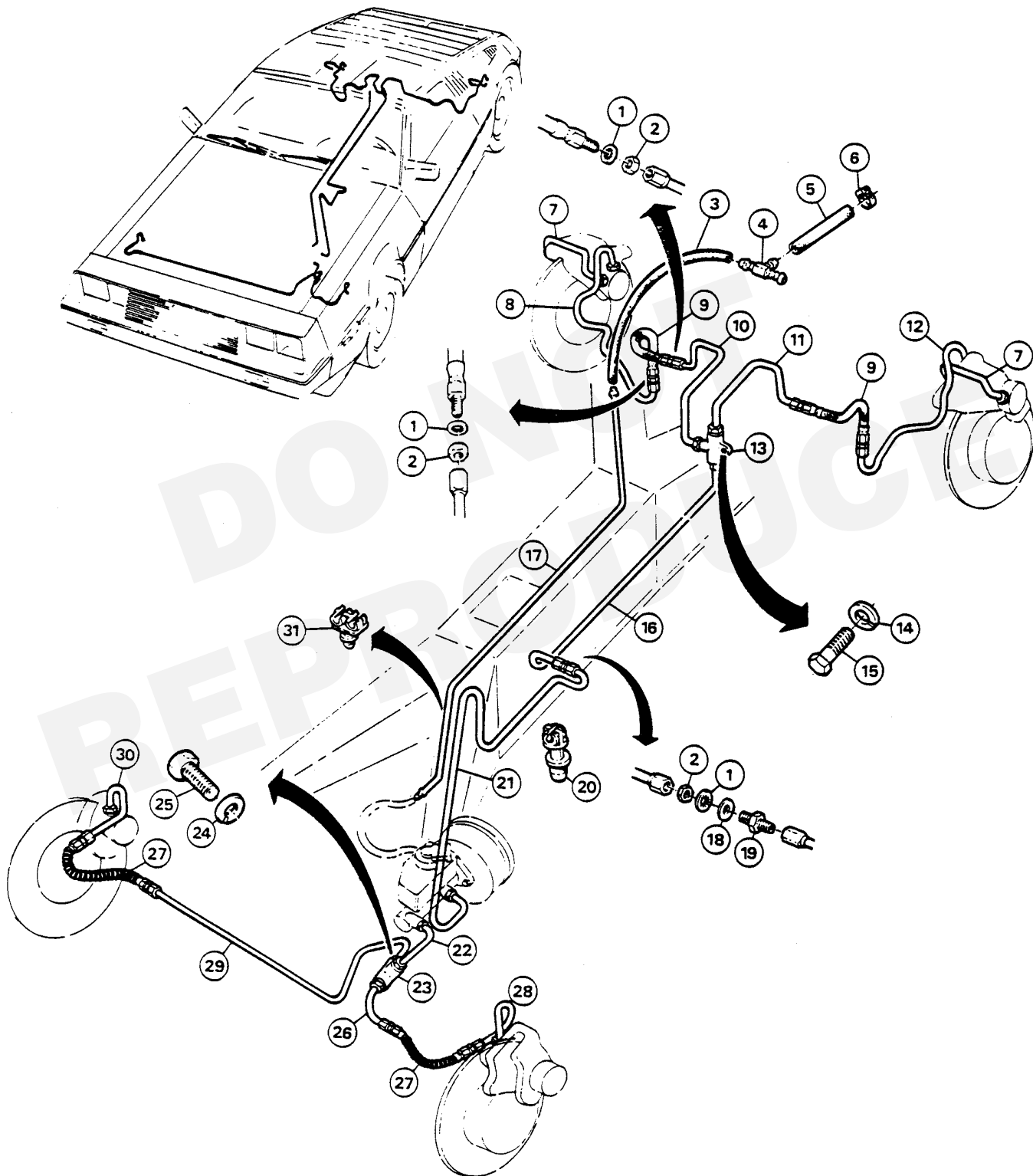
6-3-0-10-30-81

BRAKES AND WHEELS
PARKING BRAKE

SECTION
6
SUBSECTION
3
GROUP
0



SECTION		BRAKES AND WHEELS		
SUBSECTION		BRAKE LINES/HOSES		
6	3	1 GROUP		
FIG.	PART NUMBER	DESCRIPTION	QTY	REMARKS
1	100516	WASHER	9	
2	100517	LOCK NUT	9	
3	100842	HOSE, VACUUM	1	
4	106747	TEE-PIECE	1	
5	106746	HOSE	1	
6	SP10348	HOSE CLIP	1	
7	109009	BRIDGE PIPE	2	
8	108468	PIPE/REAR CALIPER RH	1	
9	100460	HOSE REAR BRAKES	2	
10	100455	PIPE-RR HOSE/TEE RH	1	
11	100456	PIPE RR HOSE/TEE LH	1	
12	108469	PIPE REAR CALIPER LH	1	
13	106904	TEE PIECE, REAR	1	
14	SP10035	SPRING WASHER M8	1	
15	SP10001	BOLT M8	1	
16	101656	PIPE TEE/UNION	1	
17	100416	PIPE VACUUM	1	
18	SP10033	WASHER M10	1	
19	101655	CONNECTOR, BULKHEAD M10	1	
20	SP10402	PLASTIC CLIP	14	
21	100454	PIPE-UNION/MASTER/CYL	1	
22	100453	PIPE, MASTER CYL/TEE	1	
23	100461	TEE PIECE, FRONT	1	
24	SP10252	SPRING WASHER	2	
25	SP10017	BOLT	2	
26	100452	PIPE-HOSE/FRONT TEE	1	
27	100459	HOSE-FRONT	2	
28	100450	PIPE-FR CALIPER/HOSE	1	
29	100451	PIPE-FR TEE-HOSE RH	1	
30	100449	PIPE-FR CLPR/HOSE RH	1	
31	SPI0392	CLIP, SIZE 5 DOUBLE	2	



6

SECTION

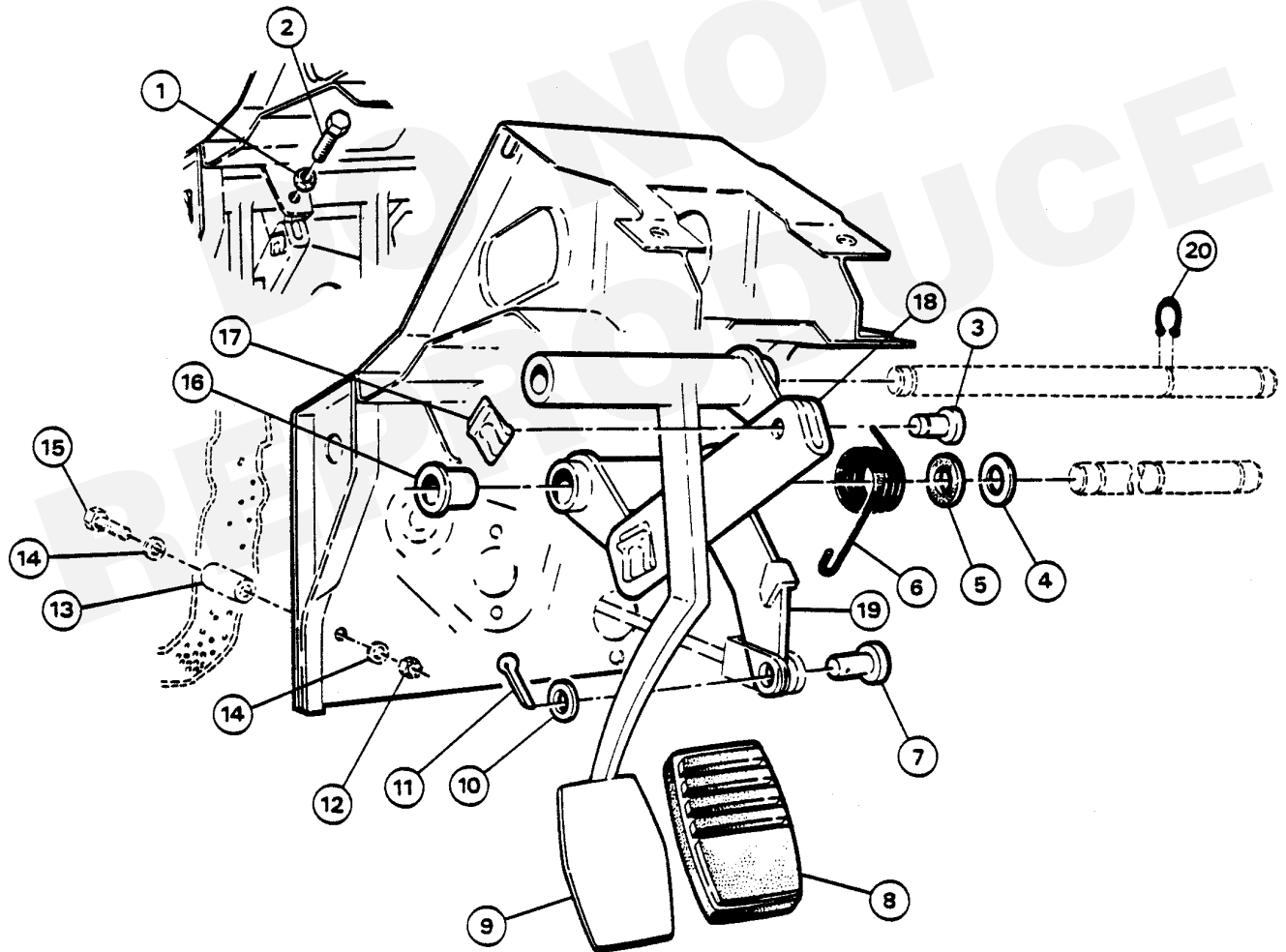
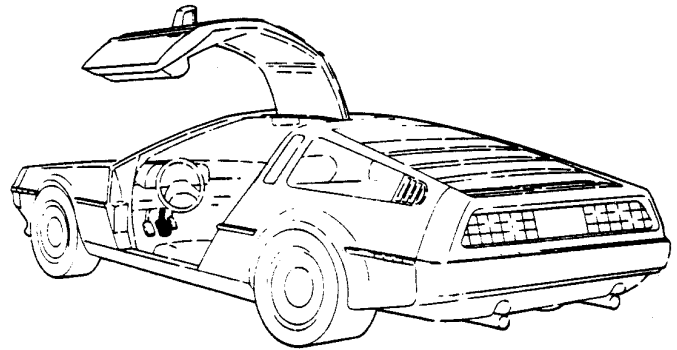
SUBSECTION

3 / **2** GROUPBRAKES AND WHEELS
BRAKE PEDAL/LINKAGE (MANUAL)

FIG.	PART NUMBER	DESCRIPTION	QTY	REMARKS
1	SP10069 *	LOCKNUT M6	2	
2	SP10015 *	SCREW M6	2	
3	100539 *	PIN-PIVOT	2	
4	100364 *	WASHER	1	
5	100366 *	WASHER-FELT	1	
6	100368 *	SPRING-RETURN	1	
7	106062	PIN-CLEVIS	1	
8	101660 *	RUBBER PEDAL	1	
9	100351 *	BRAKE PEDAL	1	
10	SP10058	WASHER 1/2"	1	
11	SP10092	PIN SPLIT	1	
12		NYLOC NUT M8	5	REFER TO 6-6-0
13		DISTANCE PIECE	5	REFER TO 6-6-0
14		EXTRA LARGE WA M8	3	REFER TO 6-6 0
15		BOLT M8	1	REFER TO 6-0-0
16	100365 *	BUSH	4	
17	SP10115 *	CLIP BAYONET	2	
18	101688 *	LINK	1	
19	100375 *	BRAKE REL SHAFT	1	
20	SP10664 *	CIRCLIP	1	

* INCLUDED IN PEDAL BOX ASSEMBLY (SEE 6-6-0)

6-3-2-9-4-81



6

SECTION

SUBSECTION

3 / **3** GROUPBRAKES AND WHEELS
BRAKE PEDAL/LINKAGE (AUTO)

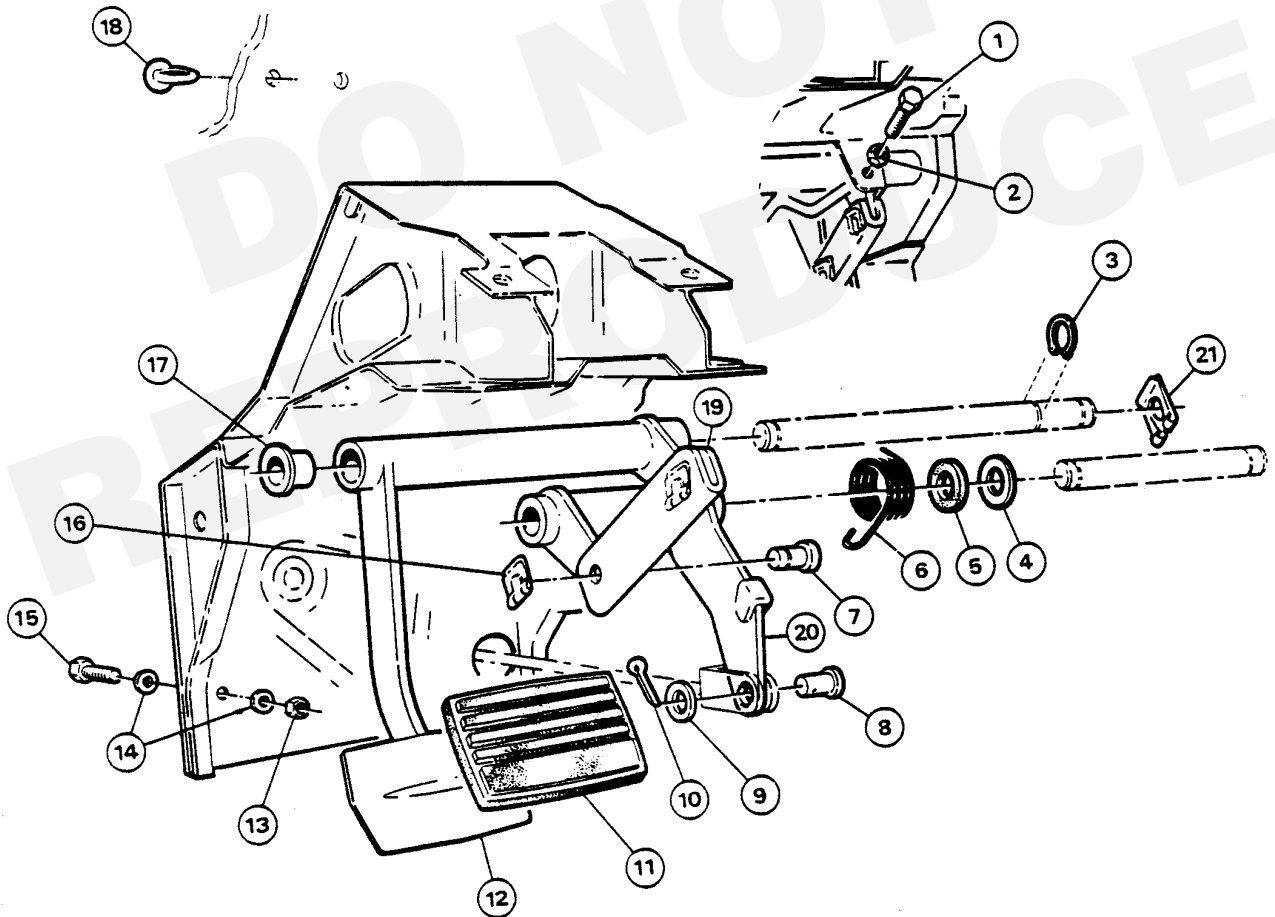
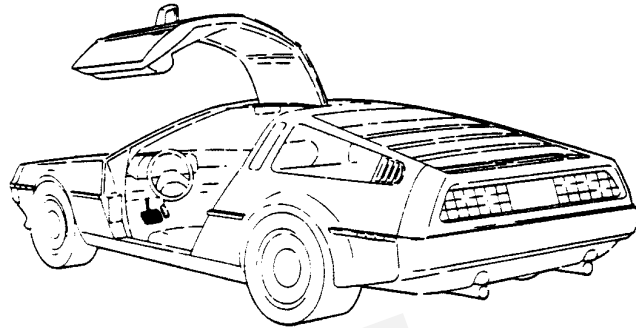
FIG.	PART NUMBER	DESCRIPTION	QTY	REMARKS
1	SP10015 *	SCREW M6	1	
2	SP10069 *	LOCKNUT M6	1	
3	SP10664 *	C1RCLIP	1	
4	100364 *	WASHER	2	
5	100366 *	WASHER-FELT	1	
6	100368 *	SPRING-RETURN	1	
7	100359 *	PIN-PIVOT	2	
8	106062	PIN-CLEVIS	1	
9	SP10058	WASHER 1/2"	1	
10	SP10092	PIN-SPLIT	1	
11	101661 *	RUBBER PEDAL	1	
12	101659 *	BRAKE PEDAL	1	
13		NYLOC NUT M8	5	REFER TO 6-6-0
14		WA-EXTRA LARGE M8	3	REFER TO 6-6-0
15		BOLT M8	1	REFER TO 6-6-0
16	SP10115 *	CLIP-BAYONET	2	
17	100365 *	BUSH	4	
18	SP10383	PLUG	2	FOR CLUTCH RESERVOIR MOUNTING BRACKET HOLES
19	101688 *	LINK	1	
20	100375 *	BRAKE RELAY SHAFT	1	
21	SP10116*	SAFETY CLIP	4	

* INCLUDED IN PEDAL BOX ASSEMBLY (SEE 6-6-0)

6-3-3-6-12-81

BRAKES AND WHEELS
BRAKE PEDAL/LINKAGE (AUTO)

SECTION
6
SUBSECTION
3
GROUP
3

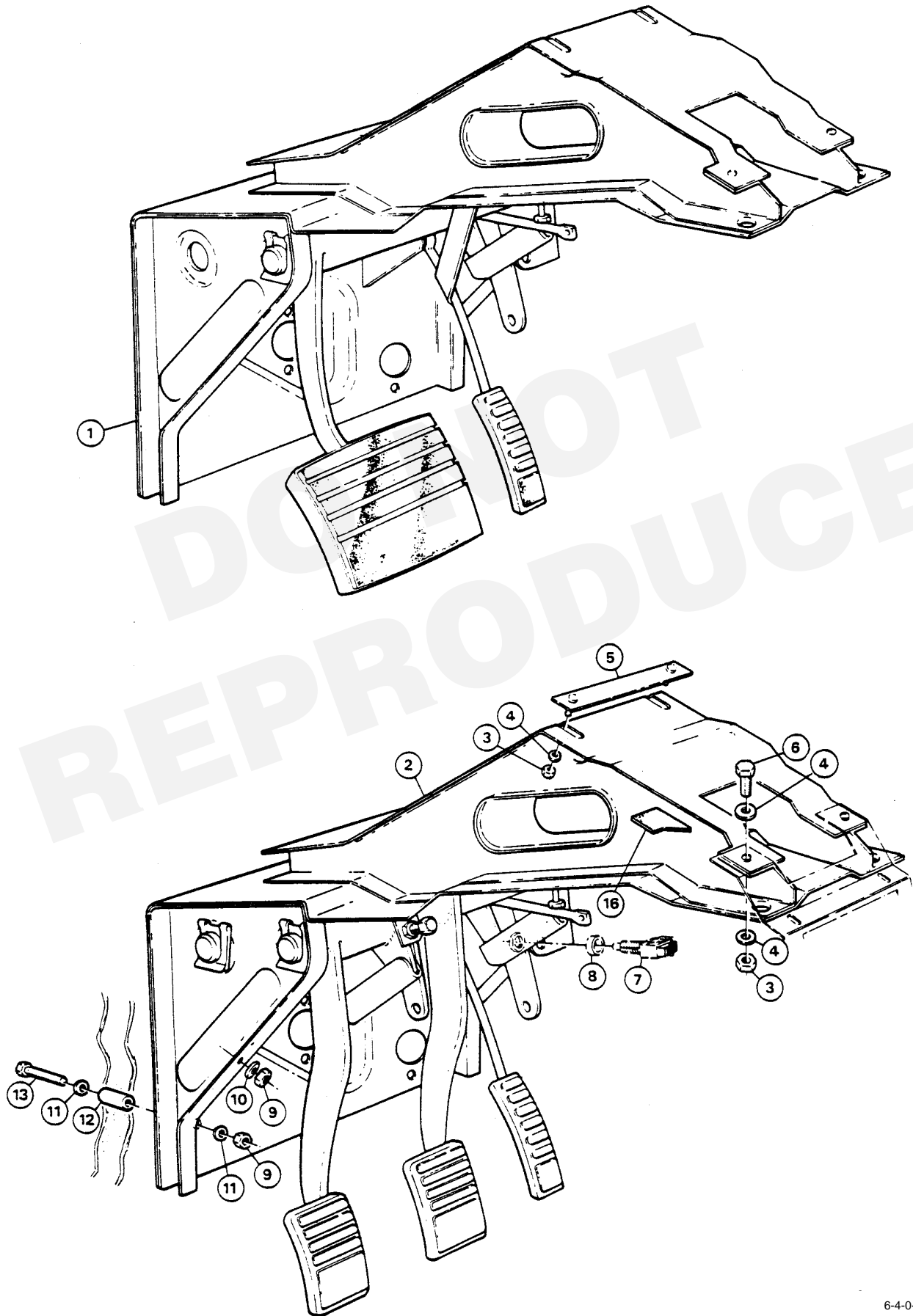


6	SECTION	BRAKES AND WHEELS PEDAL BOX
	SUBSECTION	
	GROUP	

FIG.	PART NUMBER	DESCRIPTION	QTY	REMARKS
1	101657	PED BOX AUTO ASSY	1	
2	100483	PED BOX MAN ASSY	1	
3	SP10106	NUT M5	4	
4	SP10111	WASHER M5	6	
5	101996	FIXING PLATE	1	
6	SP10113	SCREW M5	2	
7	100820	STOP LAMP MICROSW	1	SEE 3-6-2
8	SP10783	NYLON SPACER	1	SEE 3-6-2
9	SP10025	NUT M8	5	
10	SP10032	WASHER M8	4	
11	SP10765	EXTRA LARGE WA M8	3	
12	105226	DISTANCE PIECE	5	
13	SP10628	BOLT M8	1	
16	108210	PAD	1	

DO NOT REPRODUCE

FOR PEDAL BOX ASSEMBLY, SERVICEABLE COMPONENTS, ARE MARKED * IN SECTIONS 1:6:0, 4:4:0, AND 6:3:2.



6	SECTION	BRAKES AND WHEELS WHEELS
	SUBSECTION	
	5 / 0 GROUP	

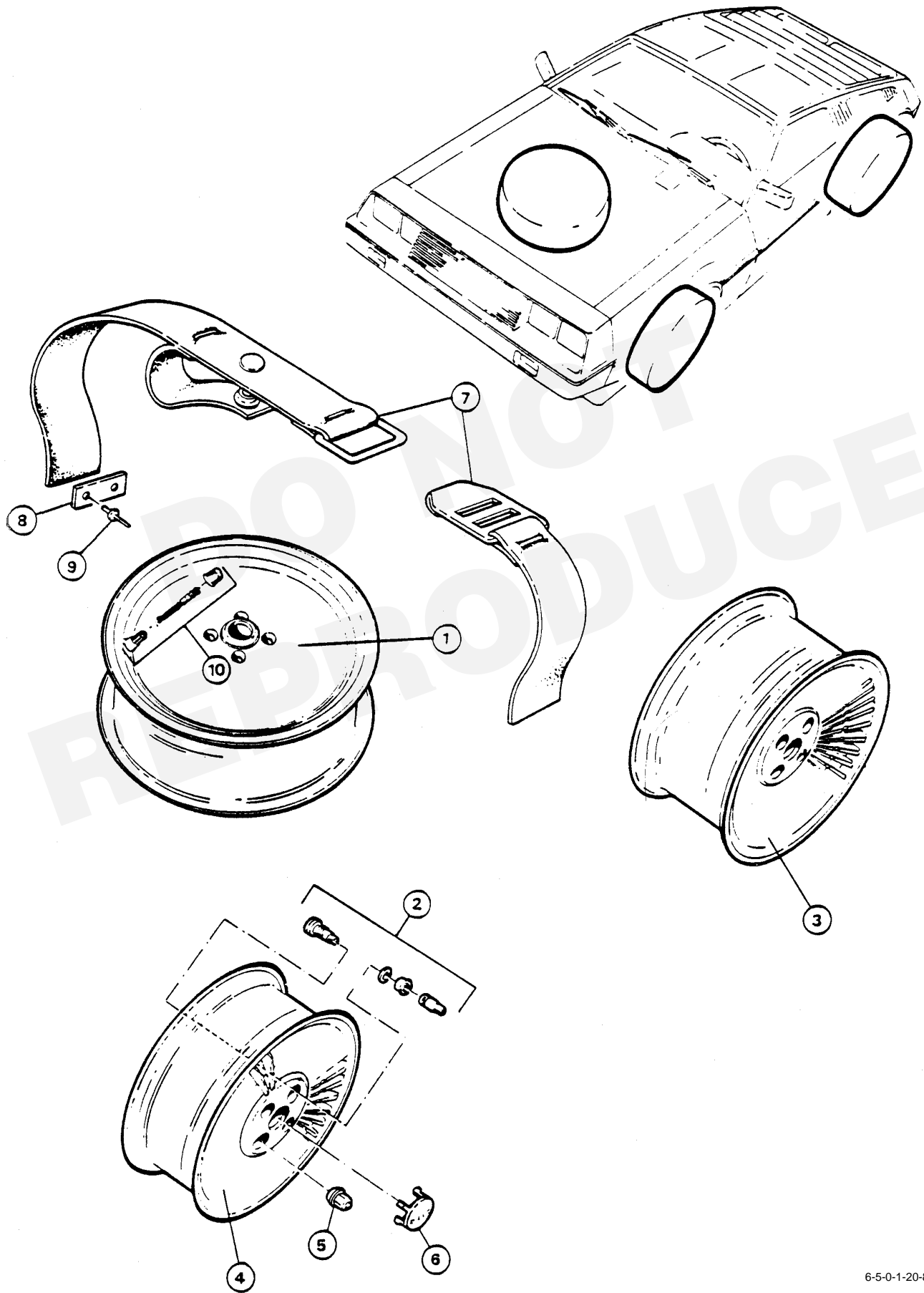
FIG.	PART NUMBER	DESCRIPTION	QTY	REMARKS
1	100528	SPARE WHEEL 4 x 15	1	
2	108527	VALVE ASSY. FRONT/REAR	4	
3	100427	WHEEL REAR (GREY) 8 x 15	2	UP TO VIN 1883
	108702	WHEEL REAR (SILVER) 8 x15	2	FROM VIN 1884
4	100426	WHEEL FRONT (GREY)	2	UP TO VIN 1883
	108701	WHEEL FRONT (SILVER)	2	FROM VIN 1884
5	100181	NUT, WHEEL	16	
6	108738	CAP, EMBLEM	4	
7	106654	STRAP, RETAINING	1	
8	106945	SECURING PLATE	1	
9	SP10712	POP RIVET	4	
10	100430	VALVE ASSY, SPARE	1	

NOTE: COLOUR CODE ON WHEELS CHANGED FROM 1115 TO 659

SPARE TIRE-125 x 70 x 15-PART NUMBER 100529
 FRONT TIRE-195 x 60 x HR 14-PART NUMBER 100428
 REAR TIRE-235 x 60 x 15 HR-PART NUMBER 100429

BRAKES AND WHEELS
WHEELS

SECTION
6
SUBSECTION
5
0 GROUP



6-5-0-1-20-82