



DE LOREAN MOTOR COMPANY

# SERVICE BULLETIN

NUMBER ST-23-10/81

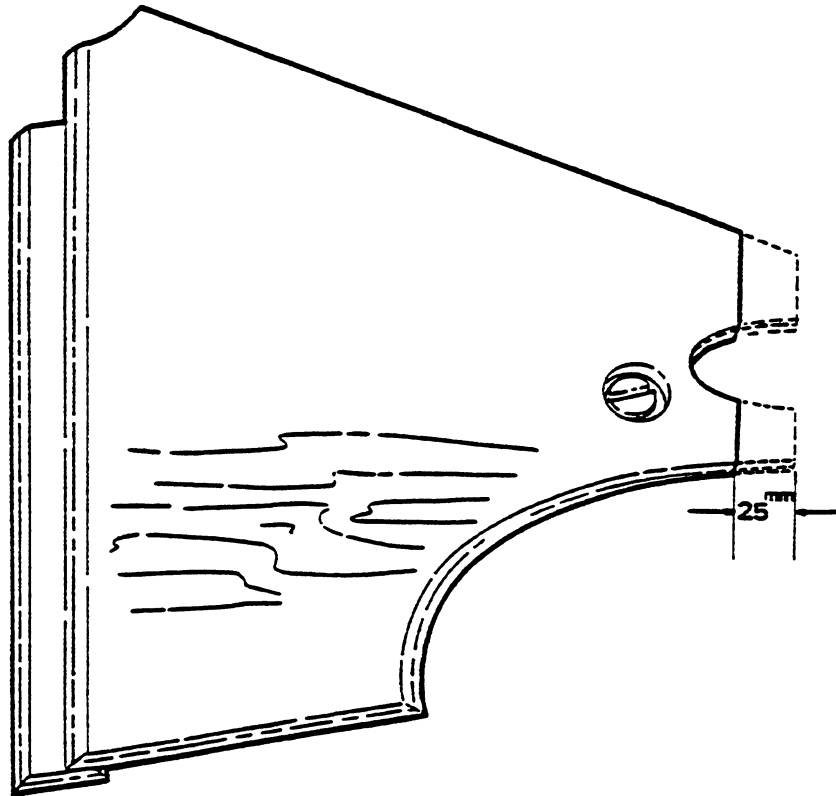
CATEGORY: TECHNICAL

ATTENTION: ALL DMC DEALERS/SERVICE MANAGERS

SUBJECT: REAR PARCEL SHELF BOARDS RH AND LH

From V.I.N. 2309, to facilitate removal of the rear parcel shelf boards, 25mm has been cut from the top edge of both boards. See the diagram below.

This modification may also be made on earlier vehicles.



Please inform all personnel accordingly.

Lutz Feuerabendt  
Technical Service Manager

LF:mc

Issued 10/26/81